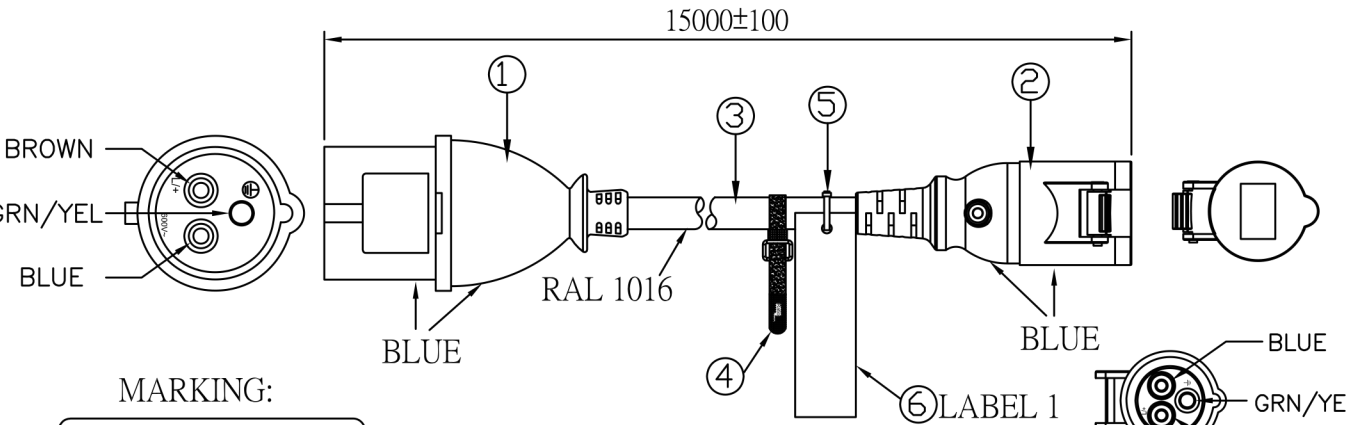


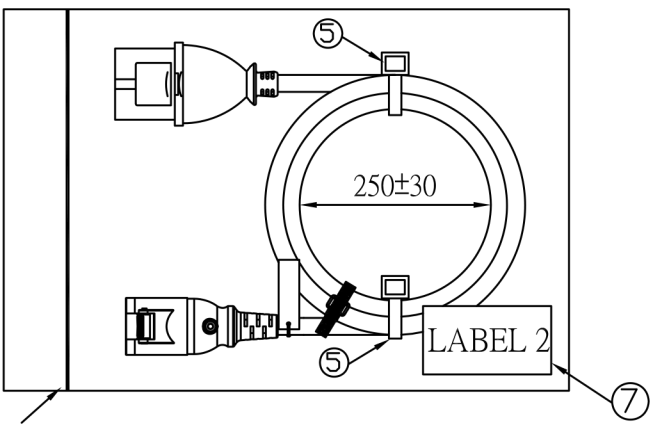
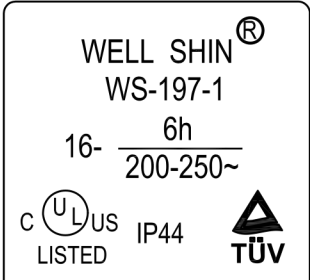
CUSTOMER: P/N: 2834 REV.. APPROVED BY:

REVISIONS		
REV.	DESCRIPTION	DATE
△		
△		
△		
△		
△		



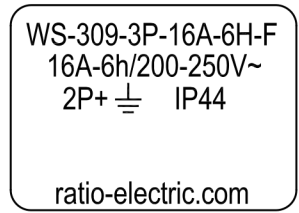
NOTES:

MARKING:

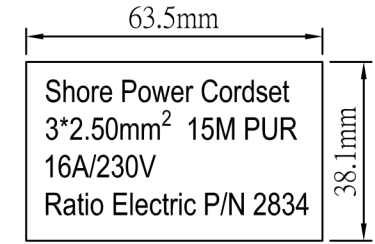


Clip chain bag

MARKING:



LABEL 2 :



⑦	LABEL 2	----	1
⑥	LABEL 1	----	1
⑤	Cable ties	----	3
④	Velcro	BLACK	1
③	H07BQ-F 3G 2.5MMSQ	APPROVAL : EUROPEAN RAL 1016	1
②	WS-309-3P-16A-6H-F 16 (A) 200-250 (V)	APPROVAL : NONE BLUE	1
①	WS-197-1(IEC309) 16 (A) 200-250 (V)	APPROVAL : TUV,UL BLUE	1
ITEM	DESCRIPTION	COLOR	Q'TY

SIGNATURE		Ratio Electric B.V.		
SAFETY ENGINEER:		www.ratio-electric.com		
MANAGER BY:		PRODUCT NO.:	DATE: 2008.11.12	
CHECKED BY:		UNIT: mm	SHEET: 1 OF 1	REV.
DRAWN BY:		DWG NO: 0318-0058		
				E