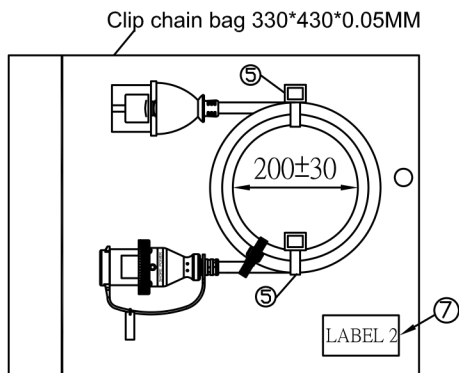
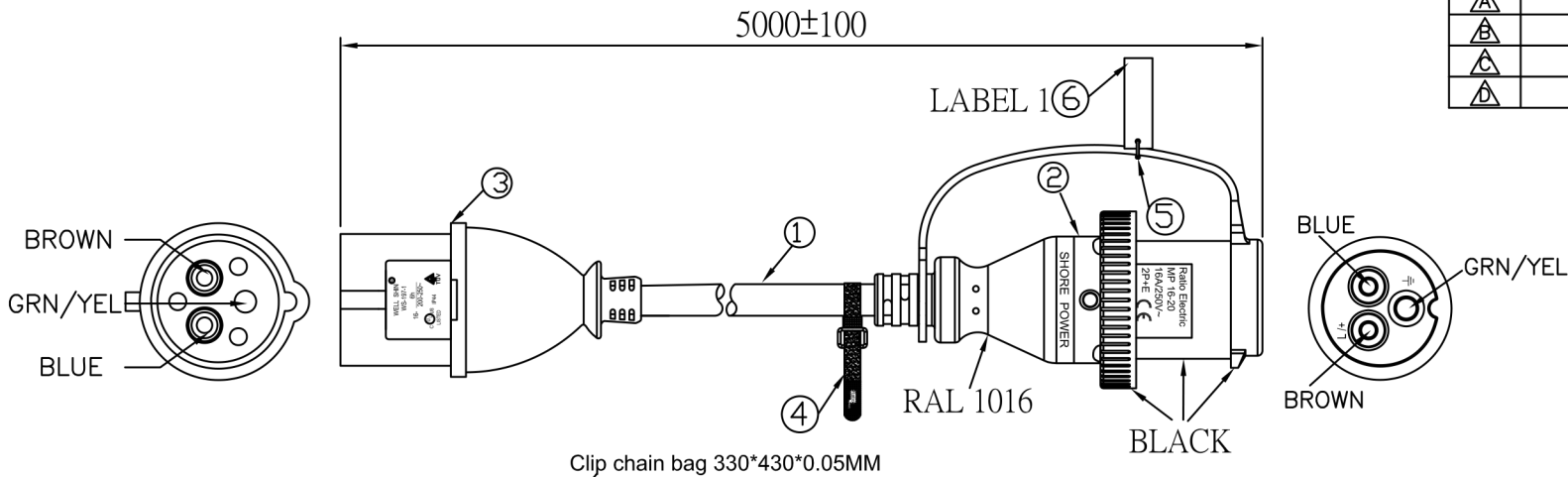
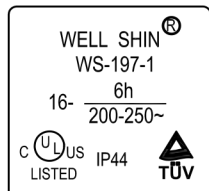


CUSTOMER: P/N: 2823 REV. . APPROVED BY:

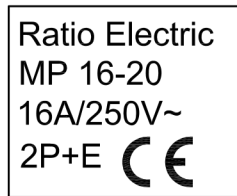
| REVISIONS | | |
|-----------|-------------|------|
| REV. | DESCRIPTION | DATE |
| △ | | |
| △ | | |
| △ | | |
| △ | | |



MARKING:



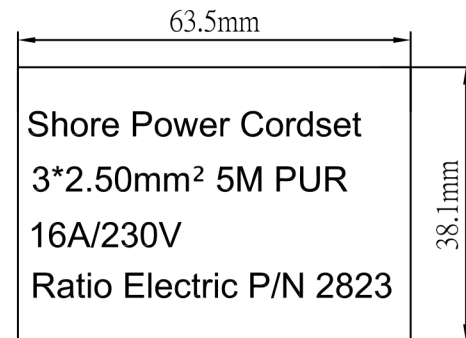
MARKING:



MARKING:



LABEL 2 :



| | | | |
|-------------|--------------------------------|--------------|------------|
| ⑦ | LABEL 2 | | 1 |
| ⑥ | LABEL 1 | | 1 |
| ⑤ | Cable ties | | 3 |
| ④ | Velcro | | 1 |
| ③ | WS-197-1, APPROVAL: TUV,UL,CUL | BLUE | 1 |
| ② | WS-EM-182, APPROVAL: CE | AS DRAWING | 1 |
| ① | H07BQ-F 3G 2.50MM² | RAL 1016 | 1 |
| ITEM | DESCRIPTION | COLOR | QTY |

| SIGNATURE | | Ratio Electric B.V. | | |
|------------------|--|---------------------------------|------------------|--------|
| SAFETY ENGINEER: | | www.ratio-electric.com | | |
| MANAGER BY: | | PRODUCT NO.: WS-197-1+WS-EM-182 | DATE: 2012.08.03 | |
| CHECKED BY: | | UNIT: mm | SHEET: 1 OF 1 | REV. 0 |
| DRAWN BY: | | DWG NO: 0318-0146 | | 0 |