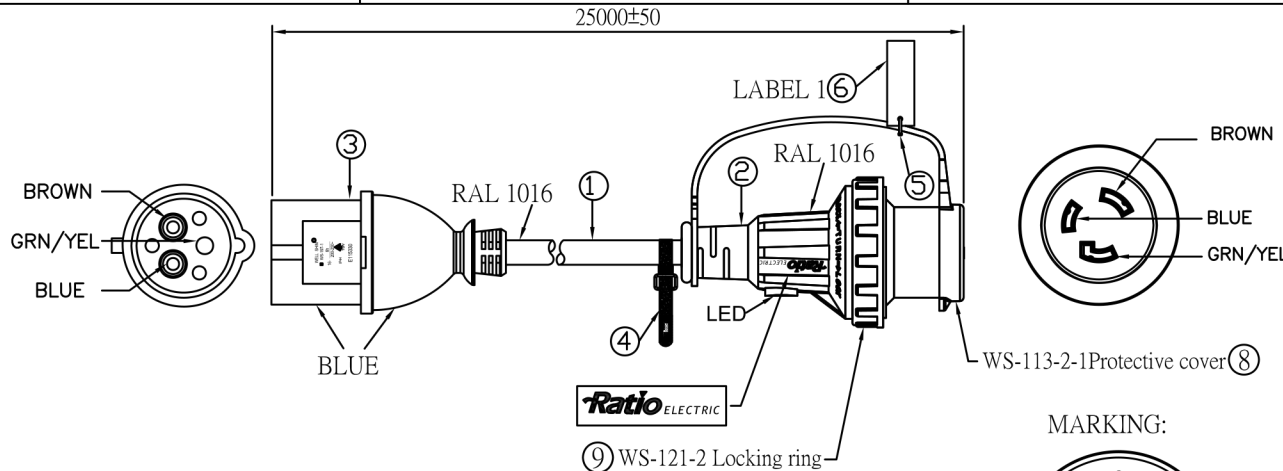


CUSTOMER:

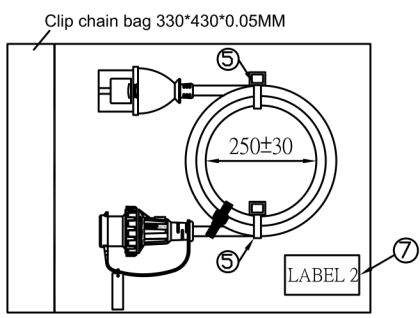
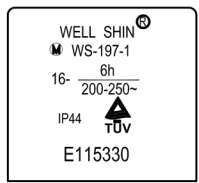
P/N: 2812 REV.

APPROVED BY:

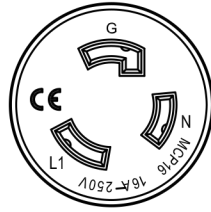
REVISIONS		
REV.	DESCRIPTION	DATE
△		
△		
△		
△		
△		
△		



MARKING:



MARKING:

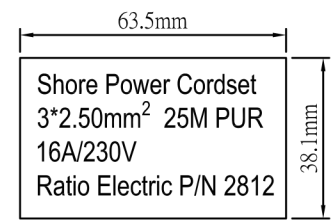


MARKING:



NOTES:

LABEL 2 :



⑨	WS-121-2 Locking ring	BLACK	1
⑧	WS-113-2-1 Protective cover	YELLOW	1
⑦	LABEL 2	---	1
⑥	LABEL 1	---	1
⑤	Cable ties	---	3
④	Velcro	BLACK	1
③	WS-197-1(IEC309) 16(A) 200-250(V) APPROVAL : TUV,UL	BLUE	1
②	WS-113-2-1(NEMA L5-30R) 16(A) 250(V) APPROVAL : NONE	RAL 1016	1
①	H07BQ-F 3G 2.5MMSQ APPROVAL : EUROPEAN	RAL 1016	1
ITEM	DESCRIPTION	COLOR	Q'TY

	SIGNATURE	Ratio Electric B.V. www.ratio-electric.com		
SAFETY ENGINEER:		PRODUCT NO.: WS-197-1+113-2-1	DATE: 2015/03/03	
MANAGER BY:		UNIT: mm	SHEET: 1 OF 1	REV.
CHECKED BY:		DWG NO: 0318-0063		
DRAWN BY:		F		